

TECHNICAL DATA SHEET

EFCO ATEX Rewind cable reel KPE

1. Product description

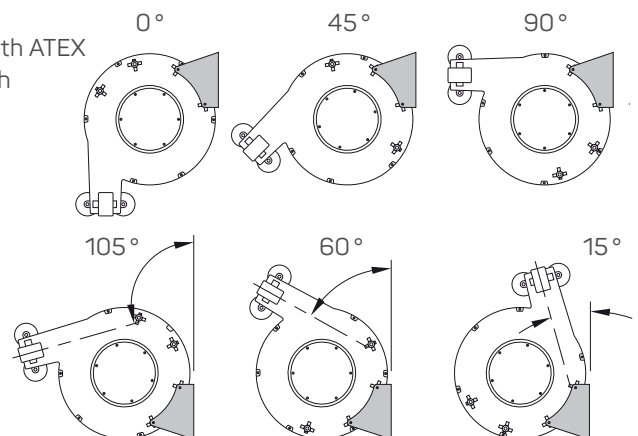
Rewind cable reel for equipotential bonding and for dissipating electrostatic charges, conformity according to 2014/34/EU (ATEX).

2. Applications

The rewind cable reel KPE corresponds to ATEX equipment class II in categories 3G and 3D. It is therefore intended for use in EX zones 2 and 22.

3. Properties

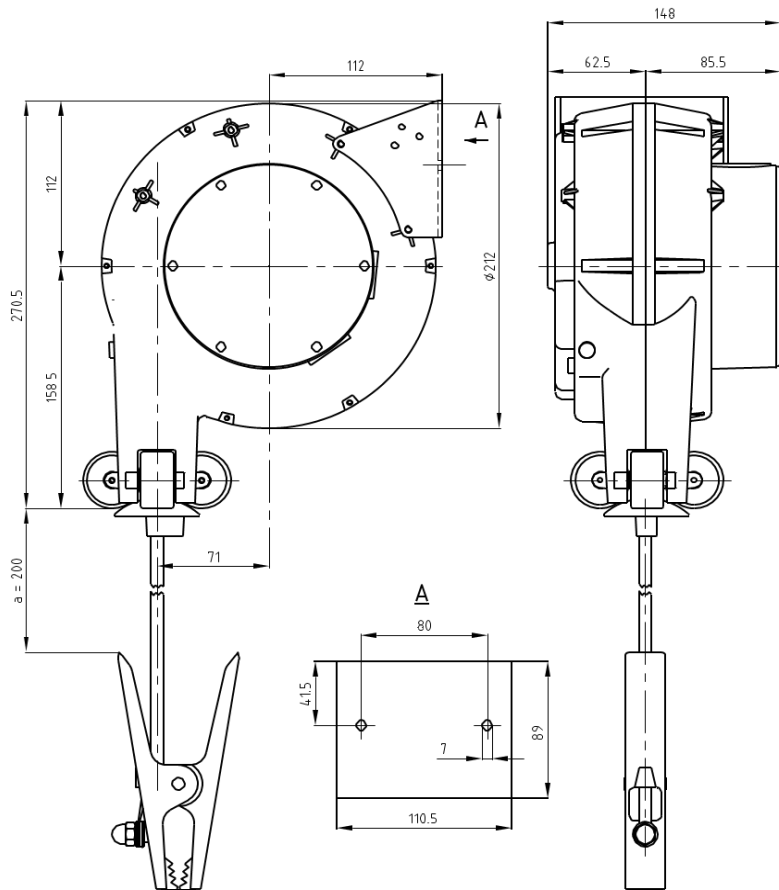
- Especially for electrostatic equipotential bonding compliant with ATEX
- Protected against dust and splashing water in accordance with IP protection class IP 54
- Compact design
- Automatic cable retraction
- Cable lock can be switched on and off
- Casing made of high quality glass-fibre reinforced plastic
- High-quality INOX cable with PUR sheath
- Guide rollers for gentle cable guidance
- Dust-protected, closed rotary coupling with triple contact transmission
- Can be installed in 6 different positions
- Swiss made



4. Technical data

Protection class	Gas: II 3G Ex eb IIC T6 Gb
	Dust: II 3D Ex tb IIIC T80 °C Db
IP protection class	IP 54
Ambient temperature (T_{amb})	$-20\text{ °C} \leq T_{amb} \leq +60\text{ °C}$
Enclosure material	Glass-fibre reinforced polyamide
Compensating conductor	Stainless steel, 2 mm dia., sheathed in PUR, 7.75 mm dia.
Connecting cable	$\geq 3\text{ mm}^2$
Cable length	8 m
Dimensions (L x W x H)	300 x 230 x 155 mm (w/o clamp)
Weight	3.1 kg including clamp
Colour	Yellow

4. Technical Data (cont.)



5. Inspections/approvals/performance specifications/conformity

- EU type examination certificate compliant with 2014/34/EU
- Conformity to standards
 - EN ISO/IEC 60079-0: 2018
 - EN ISO/IEC 60079-7: 2015
 - EN ISO/IEC 60079-31: 2014
 - Internal production control according to RL 2014/34/EU Annex VIII
 - EFCO is EX-certified company according to EN ISO/IEC 80079-34:2017
- Environmentally compliant in accordance with
 - Regulation EC No. 1907/2006 (REACH) (dated 20/02/2020)
 - Directive 2015/863/EU (RoHS) (dated 20/02/2020)

All certificates are available for download on the EFCO website: www.efco.swiss

5. Inspections/approvals/performance specifications/conformity (cont.)

smart fixing



EU Conformity Declaration

1. Product model/product EX rewind cable reel, type: KPE
2. Name and address of manufacturer
EFCO Fixing Technology Ltd, Grabenstrasse 1, 8606 Nänikon, Switzerland
3. The manufacturer bears the sole responsibility for issuing the conformity declaration.
4. Subject of the declaration EX rewind cable reel, type: KPE
5. The subject of the declaration described above complies with the European Union's relevant harmonisation legislation:

**DIRECTIVE 2014/34/EU OF THE EUROPEAN PARLIAMENT AND OF THE COUNCIL
dated 26 February 2014**

6. Indication of the relevant harmonised standards or of the other technical specifications on which the declaration of conformity was based:

**EN ISO/IEC 60079-0: 2018
EN ISO/IEC 60079-7: 2015
EN ISO/IEC 60079-31: 2014**

7. Additional information: none
Internal production control according to RL 2014/34/EU Annex VIII
EFCO is EX-certified company according to EN ISO/IEC 80079-34:2017

Signed for and in the name of:

**EFCO Fixing Technology Ltd
Grabenstrasse 1, 8606 Nänikon, Switzerland**

Nänikon, 21/02/2020



Thomas Doppelbauer, Quality Manager

EFCO Fixing Technology Ltd Phone +41 209 81 11
Grabenstrasse 1 Email info@efco.swiss
8606 Nänikon, Switzerland Web www.efco.swiss

Page 1/1

5. Inspections/approvals/performance specifications/conformity (cont.)

**(1) Notification of recognition
of the quality assurance products**
Annex VII

(2) Equipment or protective system intended for use in potentially explosive atmospheres - **Directive 2014/34/EU**

(3) Notification number: **SEV 20 ATEX 7374**

(4) Product: Rewind cable reel
Type of protection "e", "t"

A list of the EC-Type Examination Certificates covered by this notification is held by the notified body.

(5) Applicant: EFCO Befestigungstechnik AG
Grabenstrasse 1, 8606 Nänikon
Switzerland

(6) Manufacturer: EFCO Befestigungstechnik AG
Grabenstrasse 1, 8606 Nänikon
Switzerland

(7) Eurofins, notified body number 1258 for Annex VII in accordance with article 17 of the Directive 2014/34/EU, notifies to the manufacturer that he has a quality system which complies with Annex VII and to standard ISO/IEC 80079-34:2018.

(8) This notification is based on audit report no. 19CH-01265.X01 dated 2020-02-05

(9) The results of a regular repeat evaluation of the quality assurance system form part of this notice.

(10) This notification is valid until 2023-02-04 and can be withdrawn if the manufacturer no longer satisfies the requirements of Annex VII.

(11) According to article 16 (3) of the Directive 2014/34/EU the notified body assessing the production phase must be indicated by showing the notified body number 1258 of Eurofins beside the CE mark.

Eurofins Electric & Electronic Product Testing AG
Notified Body ATEX

Patrick Gutensohn
Product Certification

www.eurofins.ch

Fehraltorf, 2020-03-02

Issue: 0

Page 1 of 1

T8g_V01

6. Operating Instructions

The operating instructions are available for download on the EFCO website: www.efco.swiss

7. Disposal

The cable reel consists of plastic (PA), steel and non-ferrous metal in minor quantities. The respective national or regional waste disposal regulations apply.

8. Manufacturer/brand/production

EFCO Fixing Technology Ltd
Grabenstrasse 1 · 8606 Nänikon · Switzerland

9. Article data

EFCO Art. No	Designation	Including bracket	Clamp	PU
D 83.206	KPE EX-II 3G 3D	110.5×89×64.5 mm, galvanised	Not insulated	1
D 83.207	KPE EX-II 3G 3D	110.5×89×64.5 mm, galvanised	Insulated	1
D 83.220	KPE EX-II 3G 3D with supply cable	110.5×165×75 mm, Inox A2	Not insulated	1

ACCESSORIES

Clamps

EFCO Art. No	Designation	Version	Span (mm)	PU
D 83.213	Clamping tongs ZI	Insulated	30	1
D 83.214	Clamping tongs ZNI INOX	Not insulated	45	1



Equipotential bonding cable

- Inox A2 1x3 mm², steel cable, yellow/green
- Inox A2 clamping tongs material

EFCO Art. No	Designation	Effective length (m)	PU
D 84.000	Equipotential bonding cable 2.5 m clamps at both ends	2.5	1
D 84.001	Equipotential bonding cable 4 m clamps at both ends	4	1
D 84.005	Equipotential bonding cable 5 m clamps at both ends	5	1



Additional accessories available on request.

10. Links/downloads

You can find additional information at:

EFCO-Website/EFCO-Online-Shop <http://www.efco.swiss>
CLIC-Website <http://www.clic.swiss>



www.efco.swiss

The information given is based on our current technical knowledge and is intended as a guide. In specific cases, it might be necessary to clarify the chemical resistance using your own tests.

Contact EFCO for further technical information.