

TECHNICAL DATA SHEET

# EFCO ATEX Safety System – Module 1

## Equipotential bonding rewind cable reel KPE-UE

### EFCO ATEX equipotential bonding safety system

The EFCO ATEX equipotential bonding safety system prevents the build-up of static charges between lorries, rolling stock, barrels or similar containers and other components such as filling spouts, funnels, extractor units, agitators, etc.

The functioning of the equipotential bonding is automatically monitored to ensure maximum safety. The green lamp on the monitoring unit shows whether the system is functioning properly at all times. A potential-free contact in the monitoring unit makes it possible to connect it to process control or alarm systems.



### 1. Product description

Rewind cable reel for monitored equipotential bonding with interface to EFCO monitoring unit

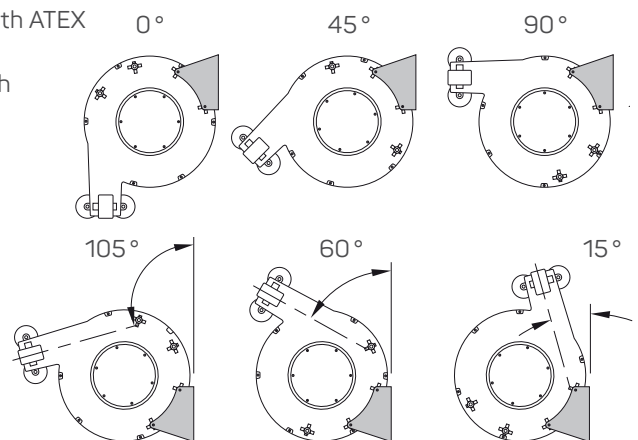
### 2. Applications

The KPE rewind cable reel corresponds to ATEX equipment class II in categories 3G and 3D. It is therefore intended for use in EX zones 2 and 22. Conformity compliant with 2014/34/EU (ATEX).



### 3. Properties

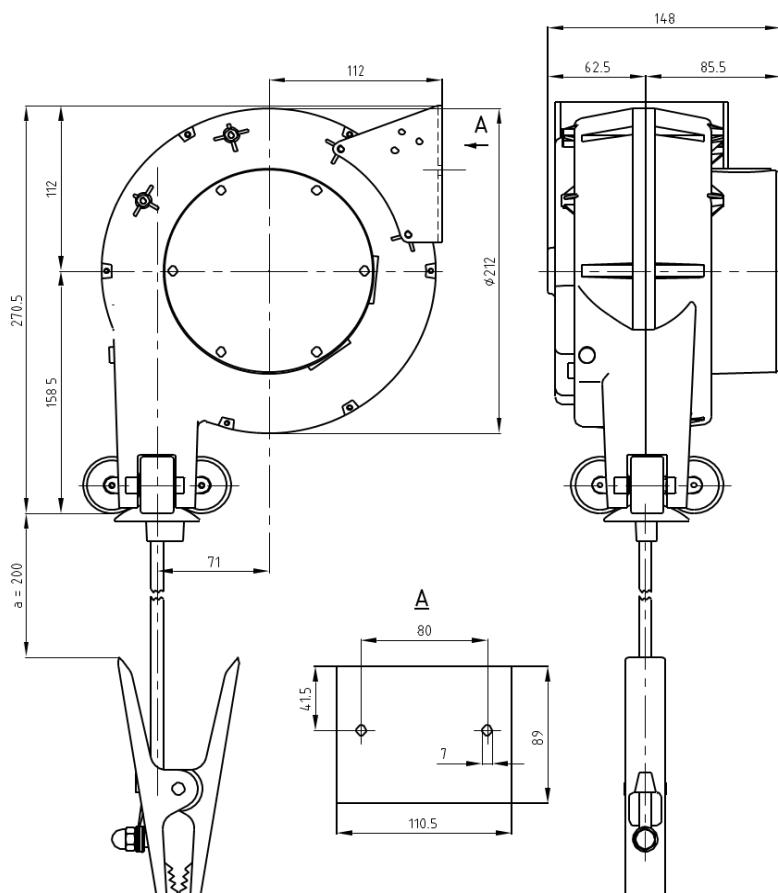
- Especially for electrostatic equipotential bonding compliant with ATEX
- With a second wire (1 mm<sup>2</sup>) for the monitoring circuit
- Protected against dust and splashing water in accordance with IP protection class IP 54
- Compact design
- Automatic cable retraction
- Cable lock can be switched on and off
- Casing made of high quality glass-fibre reinforced plastic
- High-quality INOX steel cable as a compensating conductor with PUR sheath
- Guide rollers for gentle cable guidance
- Dust-protected, closed rotary coupling with triple contact transmission
- Can be installed in 6 different positions
- Swiss made



TECHNICAL DATA SHEET – EFCO ATEX SAFETY SYSTEM – MODULE 1 REWIND CABLE REEL KPE-UE

4. Technical data

Protection class	Gas: II 3G Ex eb IIC T6 Gb
IP protection class	Dust: II 3D Ex tb IIIC T80 °C Db
Ambient temperature ( $T_{amb}$ )	IP 54
Enclosure material	-20 °C ≤ $T_{amb}$ ≤ +60 °C
Compensating conductor	Glass-fibre reinforced polyamide
Connecting cable	Stainless steel, 2 mm dia., sheathed in PUR, 7.75 mm dia.
Cable length	≥ 3 mm <sup>2</sup>
Dimensions (L × W × H)	8 m
Weight	300 × 230 × 155 mm (w/o clamp)
Colour	3.1 kg including clamp
	Yellow



## 5. Inspections/approvals/performance specifications/conformity

- EU type examination certificate compliant with 2014/34/EU
- Conformity to standards
  - EN ISO/IEC 60079-0: 2018
  - EN ISO/IEC 60079-7: 2015
  - EN ISO/IEC 60079-31: 2014
  - Internal production control according to RL 2014/34/EU Annex VIII
  - EFCO is EX-certified company according to EN ISO/IEC 80079-34:2017
- Environmentally compliant in accordance with
  - Regulation EC No. 1907/2006 (REACH) (dated 19/01/2021)
  - Directive 2015/863/EU (RoHS) (dated 19/01/2021)

All certificates are available for download on the EFCO website: [www.efco.swiss](http://www.efco.swiss)

## 5. Inspections/approvals/performance specifications/conformity (cont.)

smart fixing



### EU Conformity Declaration

1. Product model/product EX rewind cable reel, type: KPE
2. Name and address of manufacturer  
**EFCO Fixing Technology Ltd, Grabenstrasse 1, 8606 Nänikon, Switzerland**
3. The manufacturer bears the sole responsibility for issuing the conformity declaration.
4. Subject of the declaration EX rewind cable reel, type: KPE
5. The subject of the declaration described above complies with the European Union's relevant harmonisation legislation:

**DIRECTIVE 2014/34/EU OF THE EUROPEAN PARLIAMENT AND OF THE COUNCIL  
dated 26 February 2014**

6. Indication of the relevant harmonised standards or of the other technical specifications on which the declaration of conformity was based:

**EN ISO/IEC 60079-0: 2018  
EN ISO/IEC 60079-7: 2015  
EN ISO/IEC 60079-31: 2014**

7. Additional information: none  
Internal production control according to RL 2014/34/EU Annex VIII  
EFCO is EX-certified company according to EN ISO/IEC 80079-34:2017

Signed for and in the name of:

**EFCO Fixing Technology Ltd  
Grabenstrasse 1, 8606 Nänikon, Switzerland**

Nänikon, 21/02/2020



Thomas Doppelbauer, Quality Manager

EFCO Fixing Technology Ltd Phone +41 209 81 11  
Grabenstrasse 1 Email info@efco.swiss  
8606 Nänikon, Switzerland Web www.efco.swiss

Page 1/1

5. Inspections/approvals/performance specifications/conformity (cont.)

**Notification of recognition  
of the quality assurance products**  
Annex VII

(2) Equipment or protective system intended for use in potentially explosive atmospheres - **Directive 2014/34/EU**

(3) Notification number: **SEV 20 ATEX 7374**

(4) Product: Rewind cable reel  
Type of protection "e", "t"

A list of the EC-Type Examination Certificates covered by this notification is held by the notified body.

(5) Applicant: EFCO Befestigungstechnik AG  
Grabenstrasse 1, 8606 Nänikon  
Switzerland

(6) Manufacturer: EFCO Befestigungstechnik AG  
Grabenstrasse 1, 8606 Nänikon  
Switzerland

(7) Eurofins, notified body number 1258 for Annex VII in accordance with article 17 of the Directive 2014/34/EU, notifies to the manufacturer that he has a quality system which complies with Annex VII and to standard ISO/IEC 80079-34:2018.

(8) This notification is based on audit report no. 19CH-01265.X01 dated 2020-02-05

(9) The results of a regular repeat evaluation of the quality assurance system form part of this notice.

(10) This notification is valid until 2023-02-04 and can be withdrawn if the manufacturer no longer satisfies the requirements of Annex VII.

(11) According to article 16 (3) of the Directive 2014/34/EU the notified body assessing the production phase must be indicated by showing the notified body number 1258 of Eurofins beside the CE mark.

**Eurofins Electric & Electronic Product Testing AG**  
Notified Body ATEX

Patrick Gutensohn  
Product Certification

www.eurofins.ch    Fehraltorf, 2020-03-02    Issue: 0

T8g\_V01

Page 1 of 1

## 6. Operating Instructions

The operating instructions are available for download on the EFCO website: [www.efco.swiss](http://www.efco.swiss)

## 7. Disposal

The cable reel consists of plastic (PA), steel and non-ferrous metal in minor quantities.  
The respective national or regional waste disposal regulations apply.

## 8. Manufacturer/brand/production

EFCO Fixing Technology Ltd  
Grabenstrasse 1 · 8606 Nänikon · Switzerland

## 9. Article data

### Module 1 – KPE-UE

EFCO Art. No	Designation	Including bracket	Clamp	PU
D83.250	KPE-UE EX-II 3G 3D, ZNI / GVZ / oUE	Galvanised	Not insulated	1

### Module 2 – UE KPE

Monitoring unit – 2 options => see technical data sheet UE for details

EFCO Art. No	Designation	Voltage	PU
D83.225	UE-KPE Ex 3G 3D / 24V DC	24V	1
D83.226	UE-KPE Ex 3G 3D / 230V AC	230V	1

Additional accessories available on request.

## 10. Links/downloads

You can find additional information at:

EFCO-Website/EFCO-Online-Shop <http://www.efco.swiss>  
CLIC-Website <http://www.clic.swiss>



[www.efco.swiss](http://www.efco.swiss)

---

*The information given is based on our current technical knowledge and is intended as a guide.  
In specific cases, it might be necessary to clarify the chemical resistance using your own tests.*

Contact EFCO for further technical information.